

Rubber-metal element Type GML-V, GML-W

Bearing element with V- or W-shaped rubber profile



Type GML-V



Type GML-W

Applications

- highly versatile in use
- for elastic bearing of sensitive instruments
- special protection against shaking
- for compression stress
- for shearing stress
- for damping sound and vibration

Structure type GML-V/GML-W

- Bearing element with metal rails and V- or W-shaped rubber profiles
- Through holes for fastening with through bolts

Metal parts

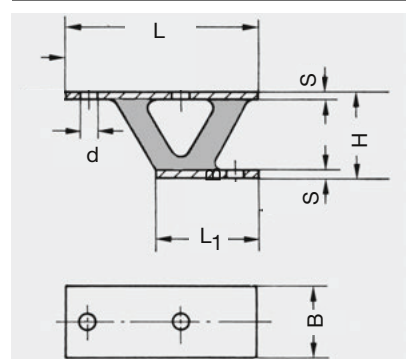
- Material: 1.0038 (S235JR) / 8.8
- Corrosion protection: oiled or electrogalvanized

Rubber element

- Highly-elastic hollow rubber profile with metal rails vulcanized onto both sides

Rubber grade	Rubber hardness	Possible uses
NBR	hard – 70 Shore A	Water, gas, fuel oil, mineral oil
	medium – 60 Shore A	
	soft – 45 Shore A	

Versions



Type GML-V

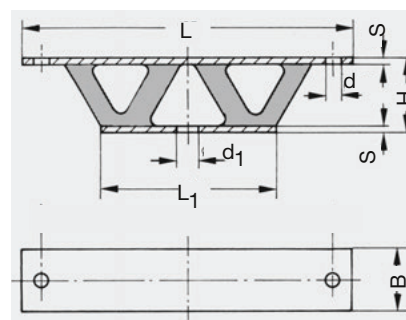
Short version with V-shaped rubber profile

Dimensions/stress type GML-V

B mm	H mm	S mm	L mm	L ₁ mm	d mm	Rubber hardness Shore A	Vertical stress Spring excursion max. amm	Load F _{tol} * N	Art. No.	Pck. qty.
25	30	2.5	68	36	6.5	70	3.5	300000	51895300-00	20
25	30	2.5	68	36	6.5	60	3.5	200000	51895200-00	20
25	30	2.5	68	36	6.5	45	3.5	100000	51895100-00	20

Dimensions/stress GML-W

B mm	H mm	S mm	L mm	L ₁ mm	d mm	d ₁ mm	Rubber hardness Shore A	Vertical stress Spring excursion max. mm	Load F _{tol} * N	Art. No.	Pck. qty.
25	30	2.5	135	72	6.5	8.5	70	3.5	600000	00002665-00	12
25	30	2.5	135	72	6.5	8.5	60	3.5	400000	00002572-00	12
25	30	2.5	135	72	6.5	8.5	45	3.5	200000	00002666-00	12



Type GML-W

Long version with W-shaped rubber profile

Note

Please comply with general technical instructions. Subject to technical alterations and deviations resulting from the manufacturing process.

* F_{tol} is the tolerable static permanent load: a dynamic alternating load can be superimposed.
The stated tolerable loads are only approximate indications for the static load.
Delivery only possible in the stated packaging quantities (far-right column).